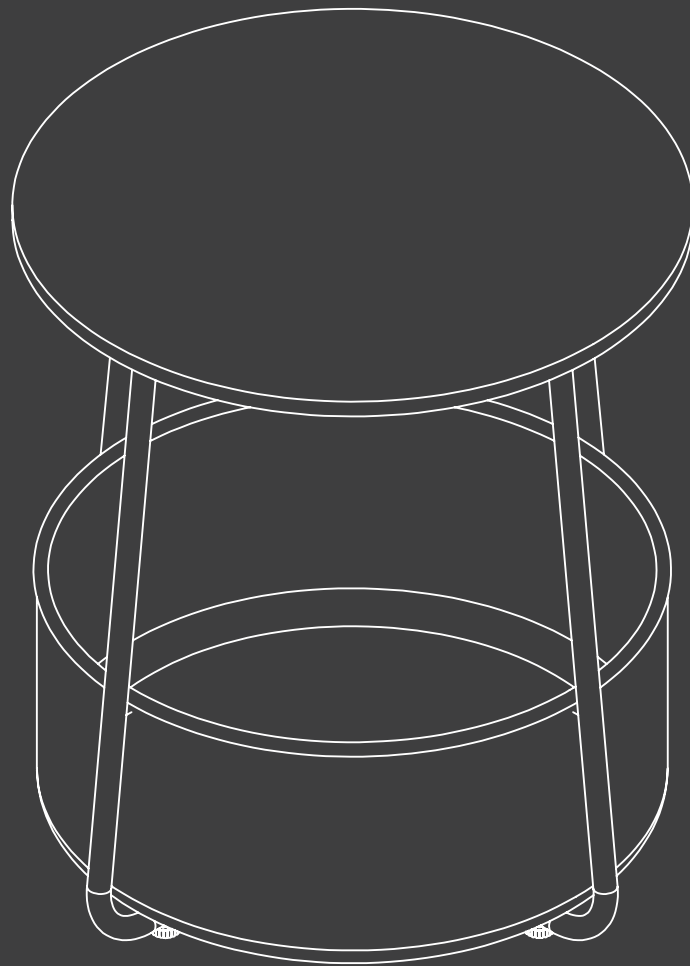


# Round End Table

## Instruction Manual

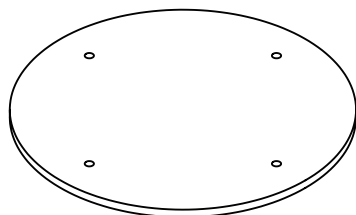
D-YZ01-WTBG  
D-YZ01-BKGY



# 1 Component List

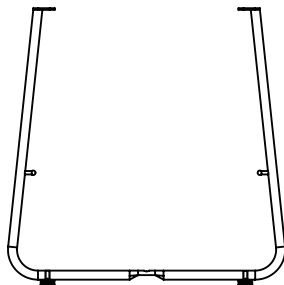
---

**A** X1



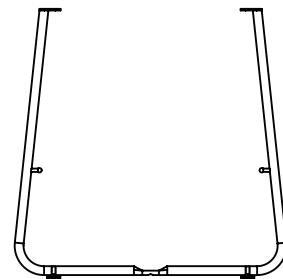
Board

**B** X1



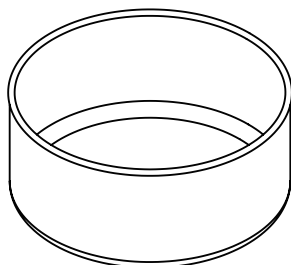
Upper iron feet

**C** X1



Bottom iron feet

**D** X1

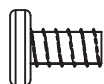


Fabric basket

## 2 Supplied Parts and Hardware

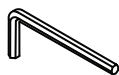
---

**1** X5





Bolts  
M6x12mm

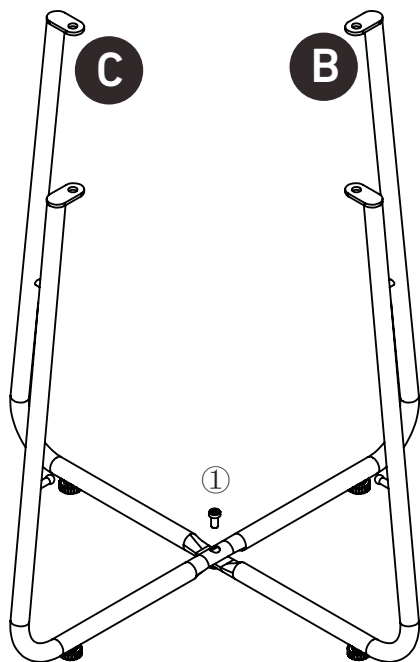
**2** X1





Wrench

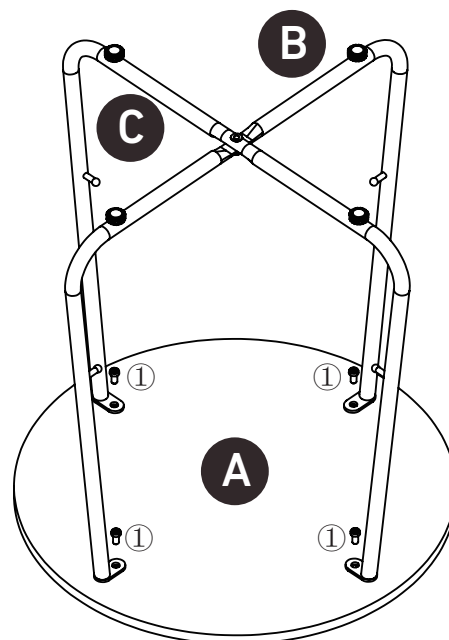
## Step 1

①	 X 1 M6x12mm
②	 X 1



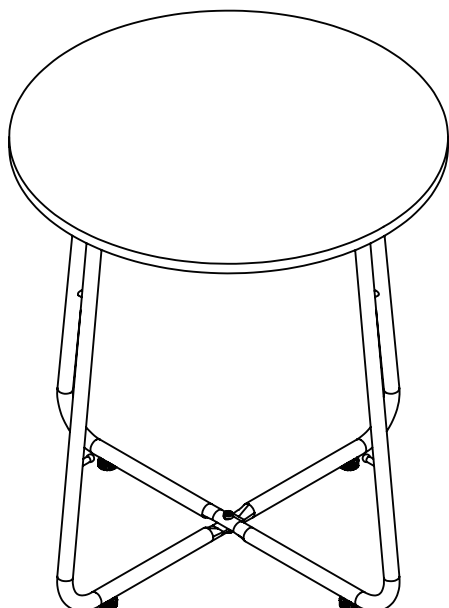
## Step 2

①	 X 4 M6x12mm
②	 X 1



**Note:** Please align the iron feet and board holes during installation.

## Step 3



## Step 4

